

LIFT-ASSIST DAMPER



LAD

LID SUPPORTS

LIFT-ASSIST DAMPER



Features

- Great solution for counter flaps at bars, restaurants, and receptions.
- Built-in damper provides soft closing near closing radius, preventing slamming.
- Damper will function even if released close to closing radius.
- Lift-assist makes counter flaps feel light and easy to lift.
- Can be retrofitted to existing counter flaps without a mortise.
- Easy to align installation position using the included template.
- Thin profile. When opened, unit has very small 35mm protrusion.
- Successfully passed 100,000 open/close cycles in a private test.
- Suitable flap thickness: 15 - 25 mm.

Maximum possible flap thickness by using spacer LAD-DP is 40 mm.

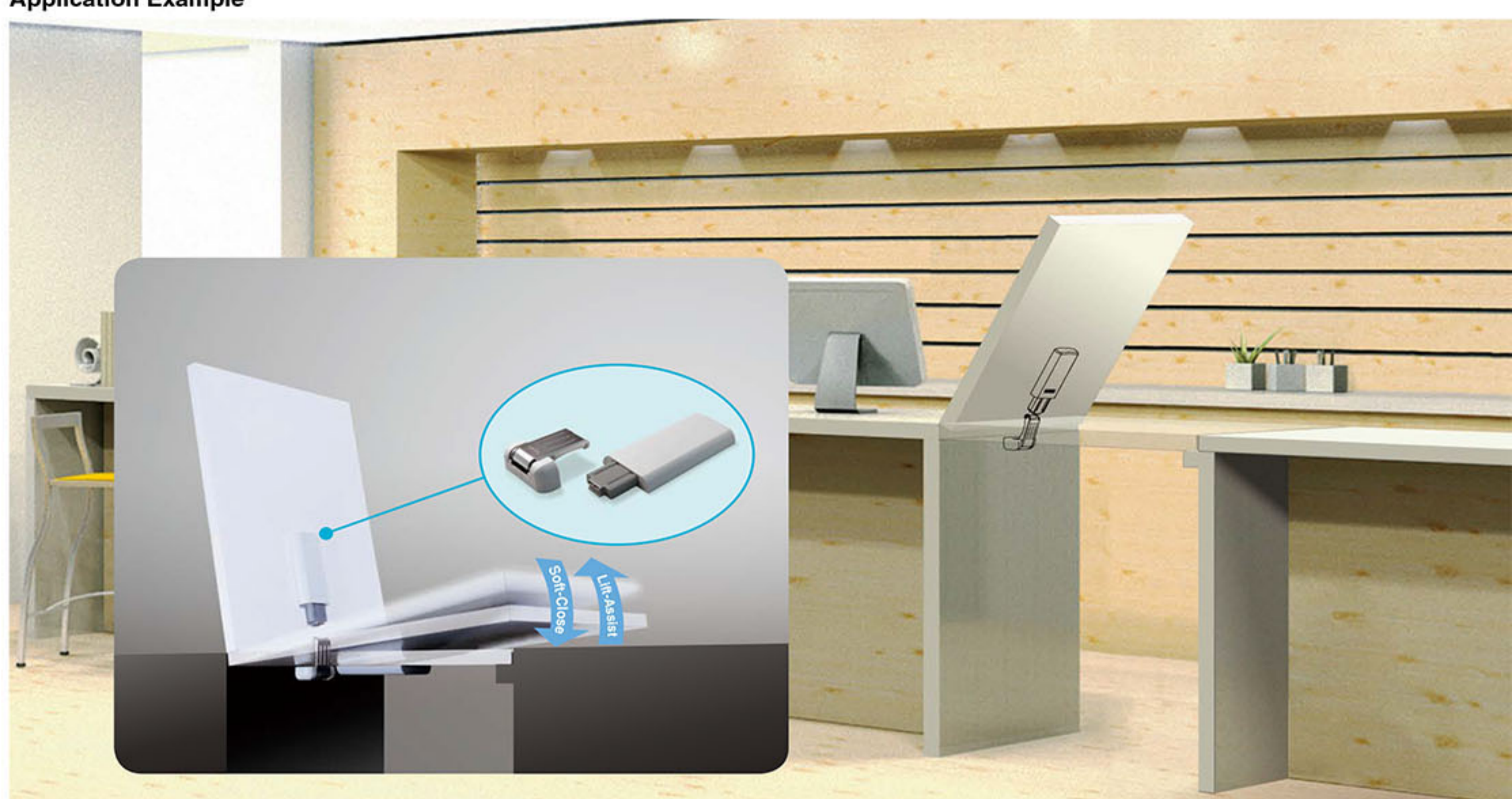
Parts Included

Binding head tapping screw 4x16

Recommended Hinge

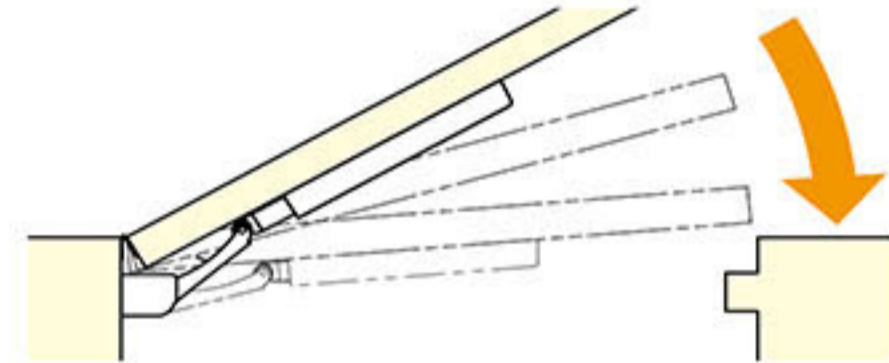
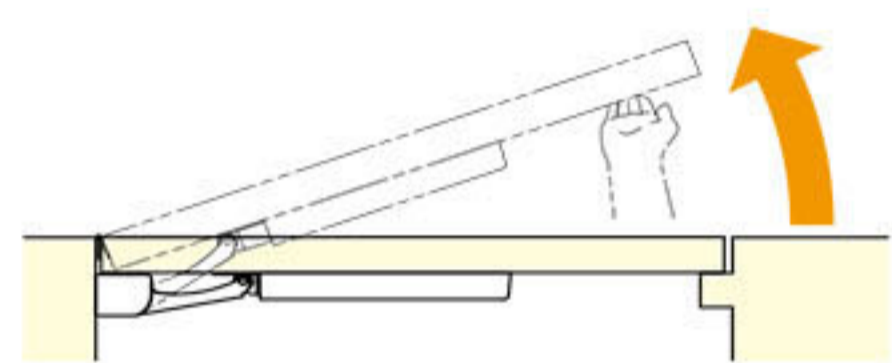
Concealed hinge R (P.416)

Application Example

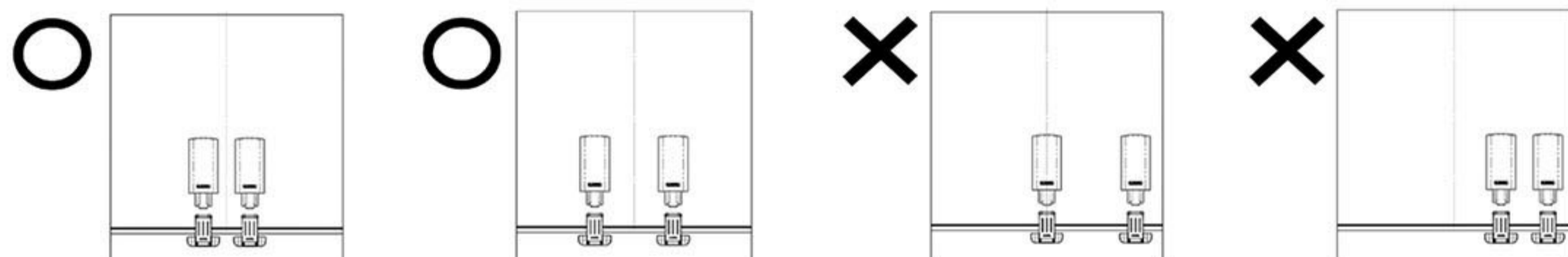


Lift-Assist

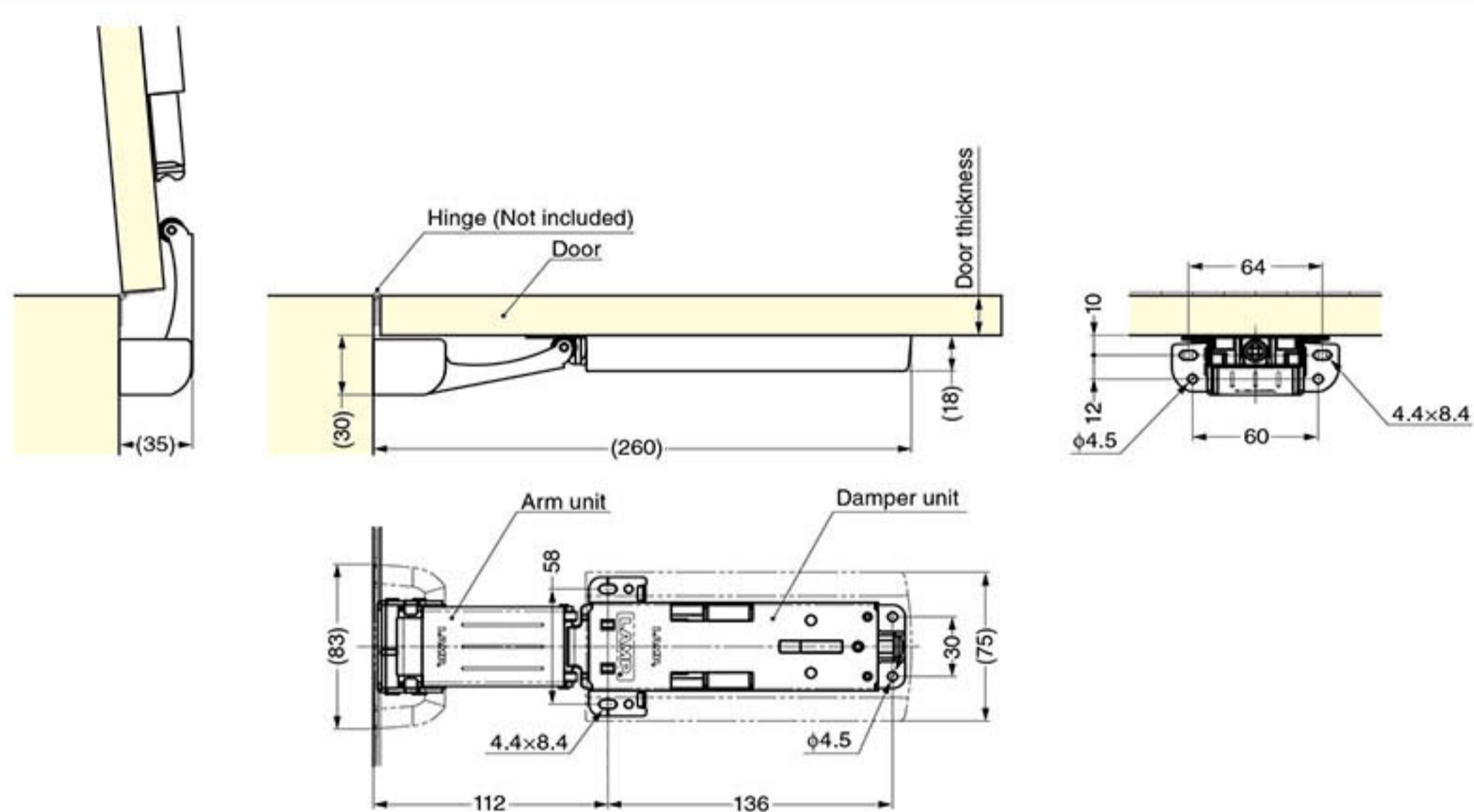
Soft-Close



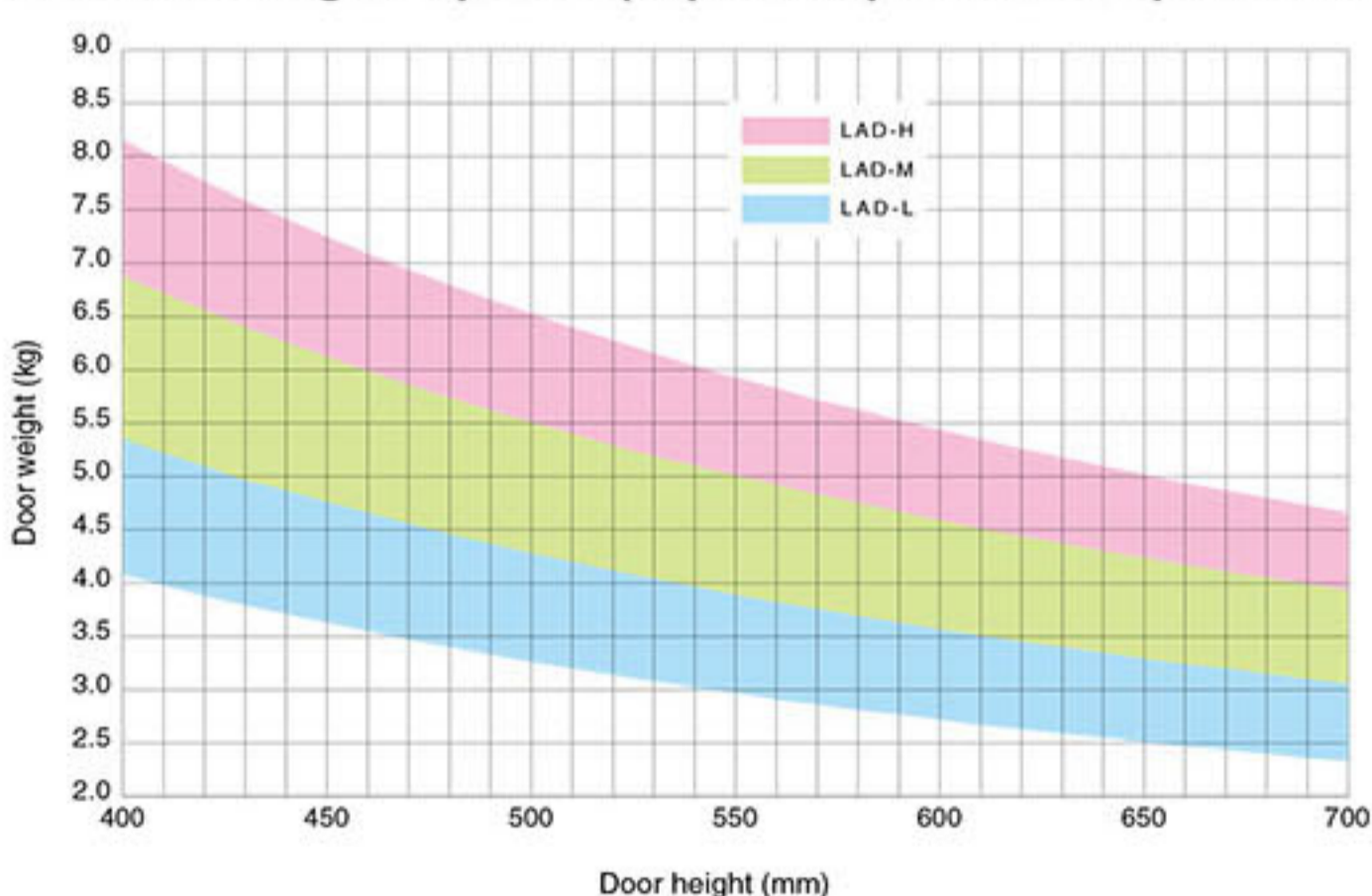
Installation Position for 2 pcs



Updated 2019.01.23



Door Size Ranges: 1 pc Use (*2 pcs use possible. Torque moment becomes double.)



Item Code	Item Name	Material	Finish	Torque Moment/piece	Door Thickness	Weight	Carton
170-025-804	LAD-L	ABS/	Zincing/Nickel Chrome	8.0 - 10.5 N·m (81.6 - 107.1 kgf·cm)	15 - 25	545 g	20 pcs
170-025-805	LAD-M	Polyacetal (POM)/		10.5 - 13.5 N·m (107.1 - 137.7 kgf·cm)		568 g	
170-025-806	LAD-H	Steel		13.5 - 16.0 N·m (137.7 - 163.2 kgf·cm)		571 g	

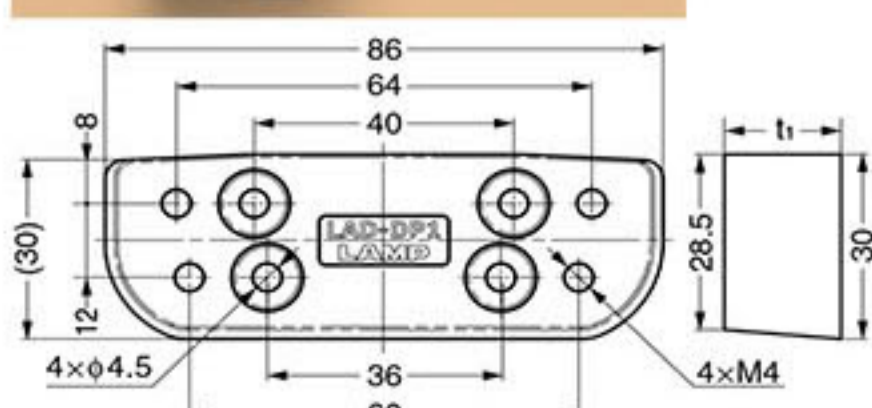
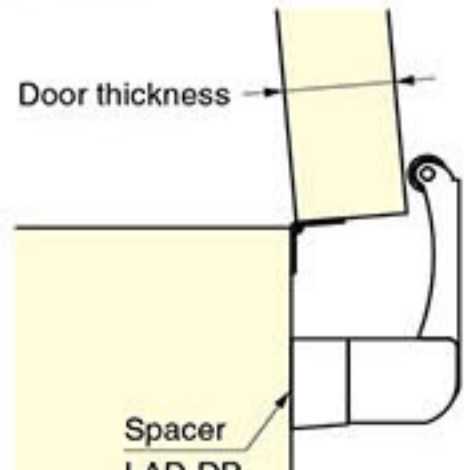
SPACER

For over 25 mm thickness door.



Features

For counter flaps with a thickness greater than 25mm.

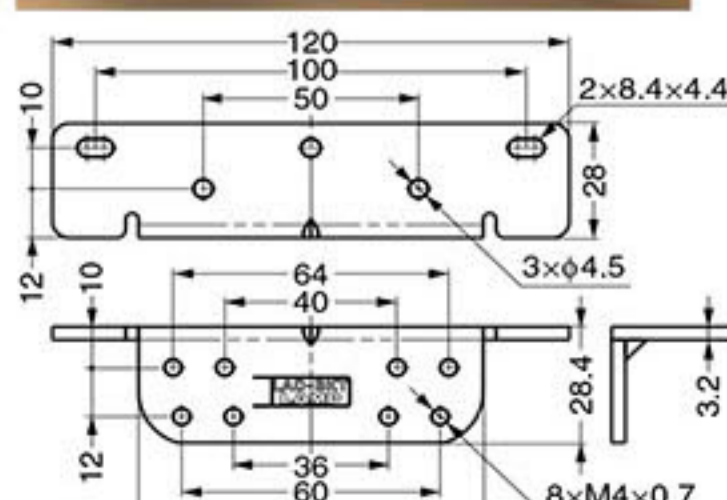
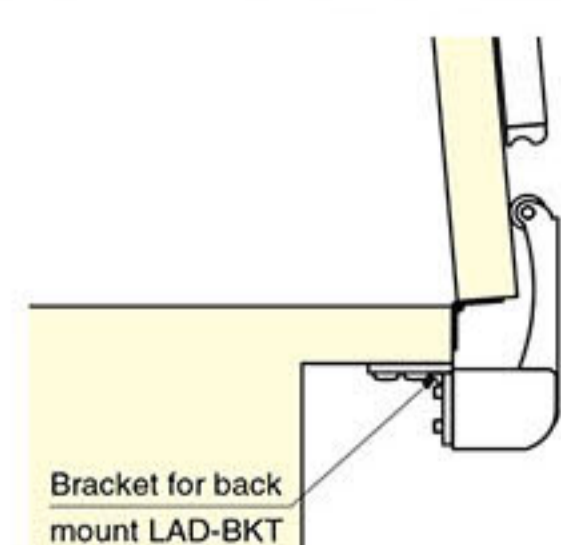


Item Code	Item Name	t ₁	Door Thickness	Material	Colour
170-028-234	LAD-DP1	18	25 - 35	Polyacetal	Grey
170-028-235	LAD-DP2	25	30 - 40	(POM)	

LAD-DP

BRACKET FOR BACK MOUNT

LAD-BKT



Item Code	Item Name	Material	Colour
170-028-236	LAD-BKT	Steel (SPCC)	Nickel



LID SUPPORTS

LIFT-ASSIST DAMPER